

6

5

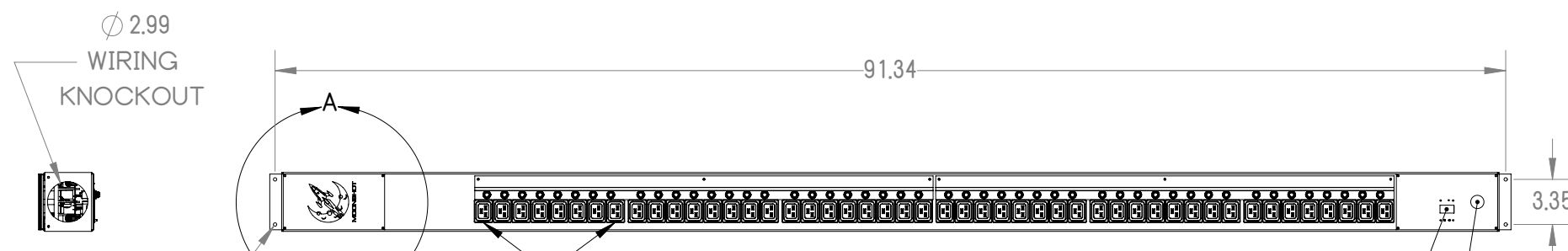
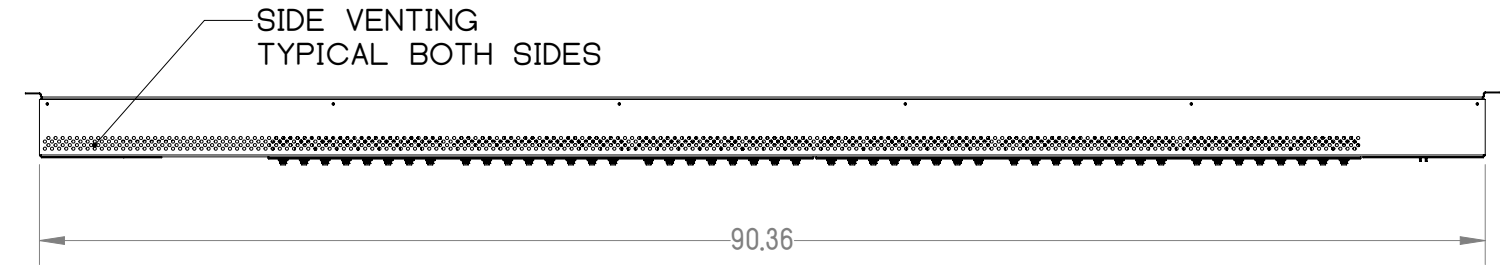
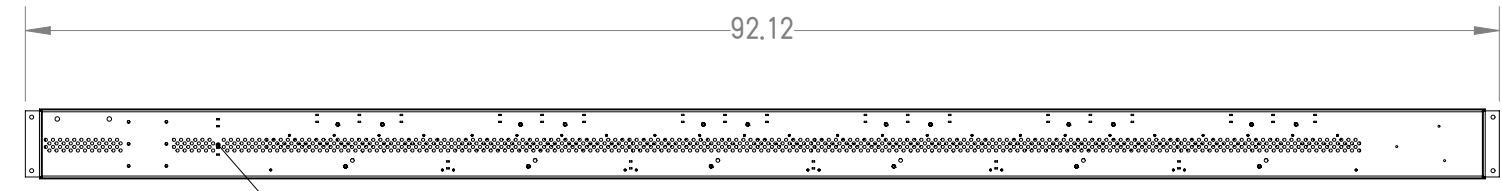
4

3

2

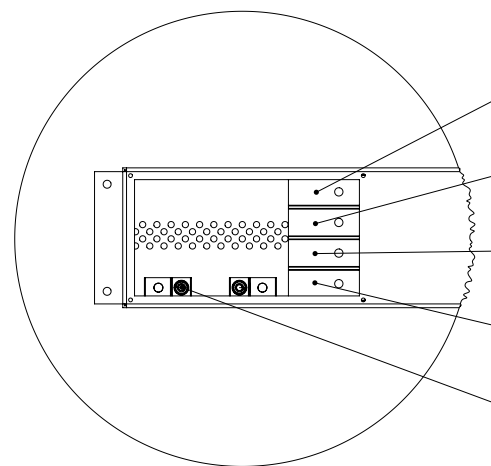
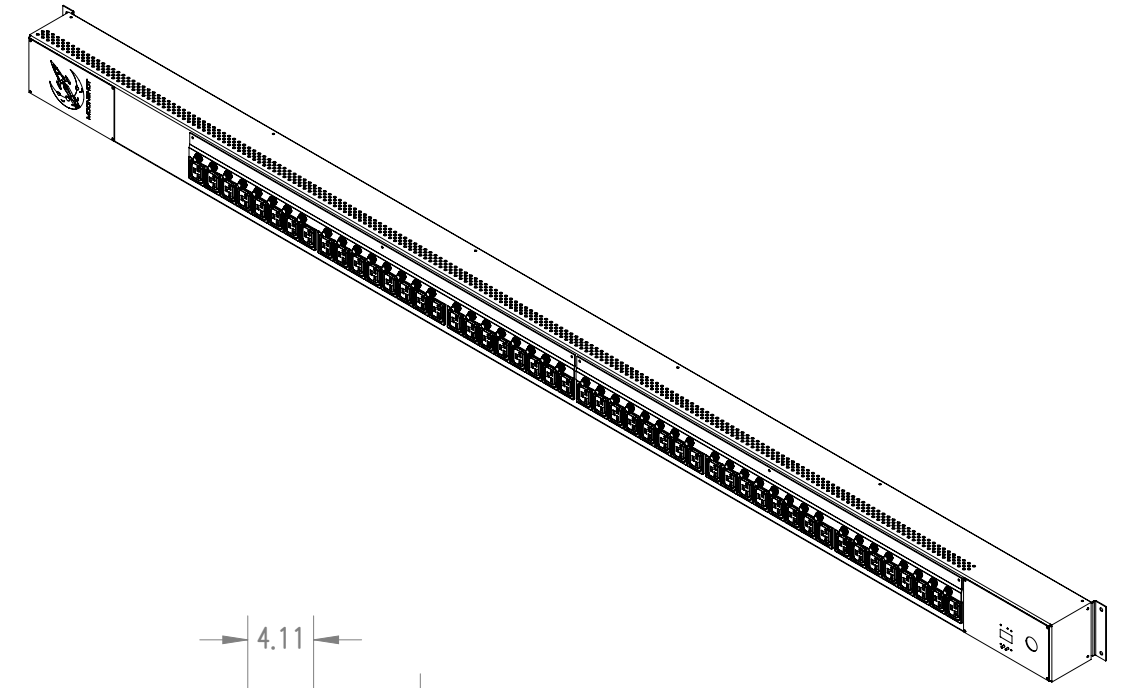
1

	MOONSHOT PART NUMBER	ETL PART NUMBER	OUTLET COUNT	OUTLET CURRENT PROTECTION
TITAN	MS-PDU-D36L-30	700-020	36	30A
	MS-PDU-D48L	700-021	48	20A
TITAN S	MS-PDU-S36L-30	700-026	36	30A
	MS-PDU-S48L	700-027	48	20A



36 PORT PDU
HAS 1ST AND 8TH
RECEPTAL REMOVED
(TYPICAL EVERY
8 RECEPTALS)

SMART PDU FEATURES
(BLANKING PLATE
FOR NON-SMART PDU)
DISPLAY
RJ45 NETWORK
CONNECTION



- L1 LUG
3AWG-4/0 STR, 3AWG-3/0 FINE STR, 90°C CU/AL
- L2 LUG
3AWG-4/0 STR, 3AWG-3/0 FINE STR, 90°C CU/AL
- L3 LUG
3AWG-4/0 STR, 3AWG-3/0 FINE STR, 90°C CU/AL
- NEUTRAL LUG
3AWG-4/0 STR, 3AWG-3/0 FINE STR, 90°C CU/AL
- GROUND LUG
14AWG-2/0 STR, 14AWG-1/0 FINE STR, 90°C CU/AL

DETAIL A
SCALE 1 : 6
(SHOWN WITH WIRING COVER REMOVED)



PROPRIETARY AND CONFIDENTIAL
THE INFORMATION CONTAINED IN THIS
DRAWING IS THE SOLE PROPERTY OF
MOONSHOT PODS LLC. ANY
REPRODUCTION IN PART OR AS A WHOLE
WITHOUT THE WRITTEN PERMISSION OF
MOONSHOT PODS LLC IS
PROHIBITED.

		UNLESS OTHERWISE SPECIFIED:	NAME	DATE
		DIMENSIONS ARE IN INCHES	DRAWN	AJP
		TOLERANCES:	CHECKED	9/27/2022
		FRACTIONAL ± 1/16	ENG APPR.	
		ANGULAR: MACH ± 1° BEND ± 1°	MFG APPR.	
		TWO PLACE DECIMAL ± .030	Q.A.	
		THREE PLACE DECIMAL ± .005	COMMENTS:	
		INTERPRET GEOMETRIC TOLERANCING PER:		
		MATERIAL		
		FINISH		
		PAINTED		
		DO NOT SCALE DRAWING		
NEXT ASSY	USED ON			
APPLICATION				

TITLE:
**36 AND 48 PORT PDU
MECHANICAL
DRAWINGS**

SIZE **B** DWG. NO. MS-PDU-(D or S)(36 or 48)L REV **B**

SCALE: 1:12 WEIGHT: SHEET 1 OF 1